

永祥[®]
YONGXIANG

MLGQ51E

全自动砻谷机

AUTOMATIC PADDY HUSKER

革命性产品，
省心不闹心！

Revolutionary product,
worry-saving.



专利产品：专利号

ZL2011 10384404.1
ZL2013 20363089.9
ZL2011 20483911.6
ZL2016 20302447.9
ZL2016 20302489.2
ZL2016 20302446.4

湖北永祥粮食机械股份有限公司

HUBEI YONGXIANG FOOD PROCESSING MACHINE CO.,LTD.

用途简介

MLGQ51E 全自动砻谷机是永祥针对目前砻谷机存在的稳定性差、自动化水平低等问题，运用科学优化的设计和多项专利技术创新，自主研发成功的一种新型全自动变频高效砻谷机；该机取消了传统砻谷机的变速箱，快慢辊采用双电机变频驱动，通过触摸屏人机界面对话，智能操作，实现全自动控制砻谷机工作状态，整机综合性能优良、运行稳定可靠、自动化程度高、噪音低，是满足现代碾米企业提高经济效益，实现集约化、规模化、自动化生产必备的关键设备。

产品特点

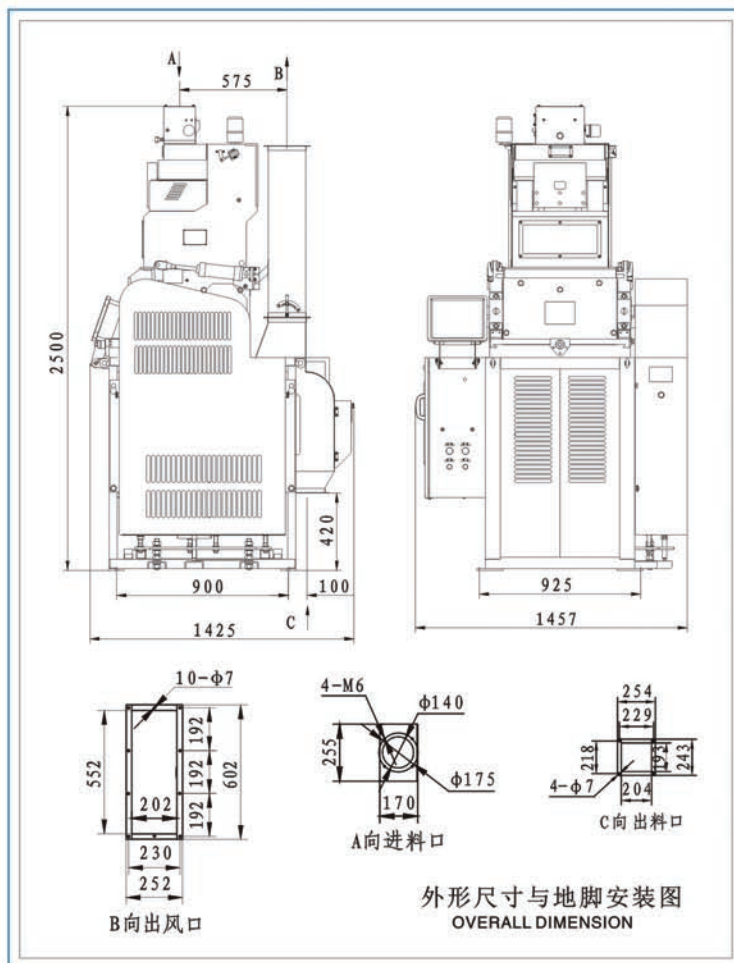
- 无传统砻谷机齿轮变速箱，快慢辊采用双电机变频驱动并在使用中自动定时切换，提高了传动效率，降低了震动和噪音，改善了生产现场环境同时减少用户使用成本；
- 采用获得专利技术的胶辊固定方法，运行平稳不震动，传动采用同步带不打滑；
- 自动化程度高，整机工作状态通过触摸屏人机界面对话，智能操作，无人值守；
- 具备辊间压力自动调节均衡装置，实现自动喂料、有料自动合辊，无料自动分辊，自动流量控制，自动启闭料门，超负荷报警，实时显示整机工作状态等功能。

USE INTRODUCTION

MLGQ51E paddy husker is a new fully automatic frequency conversion and high efficiency machine by scientific optimization design and numbers of patented technology innovation and successfully independent research and development, solving the problem-focused bad stability, low level of automation on currently existing hulling machine. Traditional gearbox of husker is been taken off, with dual motors variable frequency drive for both rollers, dialogue through touch screen interface, intelligent operation, to achieve fully automatic control. Excellent overall performance, stable and reliable, high degree of automation, low noise, it is the necessary key equipment to meet the modern rice milling enterprise to improve economic efficiency, to achieve intensive, large-scale, automated production.

FEATURES

- Without traditional gearbox, dual-motor inverter drive and automatically timing switch in use, increasing the transmission efficiency, Reducing vibration and noise, improving the production environment of the scene while cutting down user costs;
- Patented technology of fixing rubber roller method, running smoothly without vibration, drive with timing belt non-slip;
- High degree of automation, working status by touch screen dialogue, intelligent operation, unattended;
- With automatic adjustment of the pressure between the rollers, automatic close to each other when feeding, automatic off when no feeding, automatic flow control, self door open and close for feeding, overload alarm, real-time display machine working status and other functions.



主要技术参数 MAIN TECHNICAL DATA

型号 Type	MLGQ51E
处理量 Output(t/h)	7-9
配备动力 Power(kw)	22X2
机重 Weight(kg)	1250
外形尺寸 Dimenion(mm)	1415X1457X2616.5

产品技术参数如有变更恕不另行通知 If technologic data has been changed without further information

通过ISO9001国际标准质量体系认证 ISO 9001 -2008 Certified

E-mail:yongxiangmiji@sohu.com http://www.hbyxlj.com

地址：湖北省安陆市府河大道2号

ADD: 2 FUHE AVE.,ANLU CITY,HUBEI,CHINA

电话(TEL): 0712-5254443 5254445 5258762 传真(FAX):0712-5254443 邮编(POSTCODE): 432600