

MNMS18砂辊碾米机

主要用于大、中型碾米加工厂的开糙和碾白，采用目前国际上先进的负压碾米技术，使碾白过程的米温降低，含糠少，增碎更小。

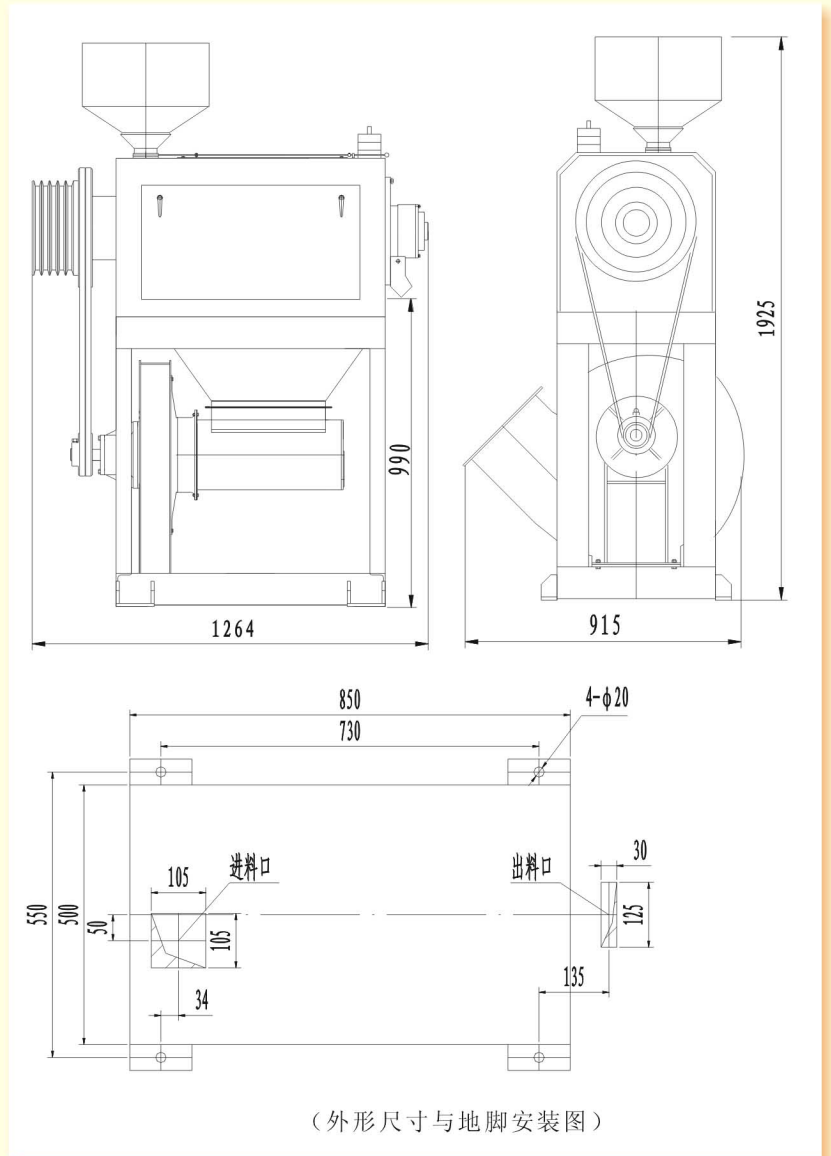
特点

- 新型结构，机械稳定性好，易拆卸。
- 较高的负压碾米，使加工的大米碎米少、精度高、排糠能力强。
- 可以微量调节的喂料机构，保证进料流量的稳定均匀，采用切线顺向方式进料，能够最大限度的提高产量。

MNMS 18 Emery-Roll Whitener applies mainly to mill and whiten for large-sized and medium-sized rice processing plants. Due to adopt current advanced milling technique of negative pressure in the world, the machine makes rice temperature low, bran few and broken fewer in whitening.

Feature

- New construction, good mechanical stability and easy disassembly.
- Higher pressure of suction for milling so as to make broken less, rice higher quality and bran fewer.
- Feeder device micro-adjusted guarantees rice flow enter into milling chamber stably and evenly. Due to adopt feeding with tangent and direction-followed model, the machine can acquire maximum capacity.



主要技术参数

型号Type	MNMS18
产量Output (t/h)	2~2.5
功率Power (kW)	18.5 ~ 22
主轴转速Rotary speed (rpm)	955~1380
机重Weight (kg)	450
外形尺寸Dimensions (mm)	1264X915X1925

通过ISO9001国际标准质量体系认证

E-mail: yongxiangmiji@sohu.com http://www.hbyxlj.com

地址：湖北省安陆市府河大道8号

ADD: 8 FUHE AVE. ANLU CITY, HUBEI, CHINA

电话(TEL): 0712-5254443 5254445 5258762 传真(FAX): 0712-5254443 邮编(POSTCODE): 432600