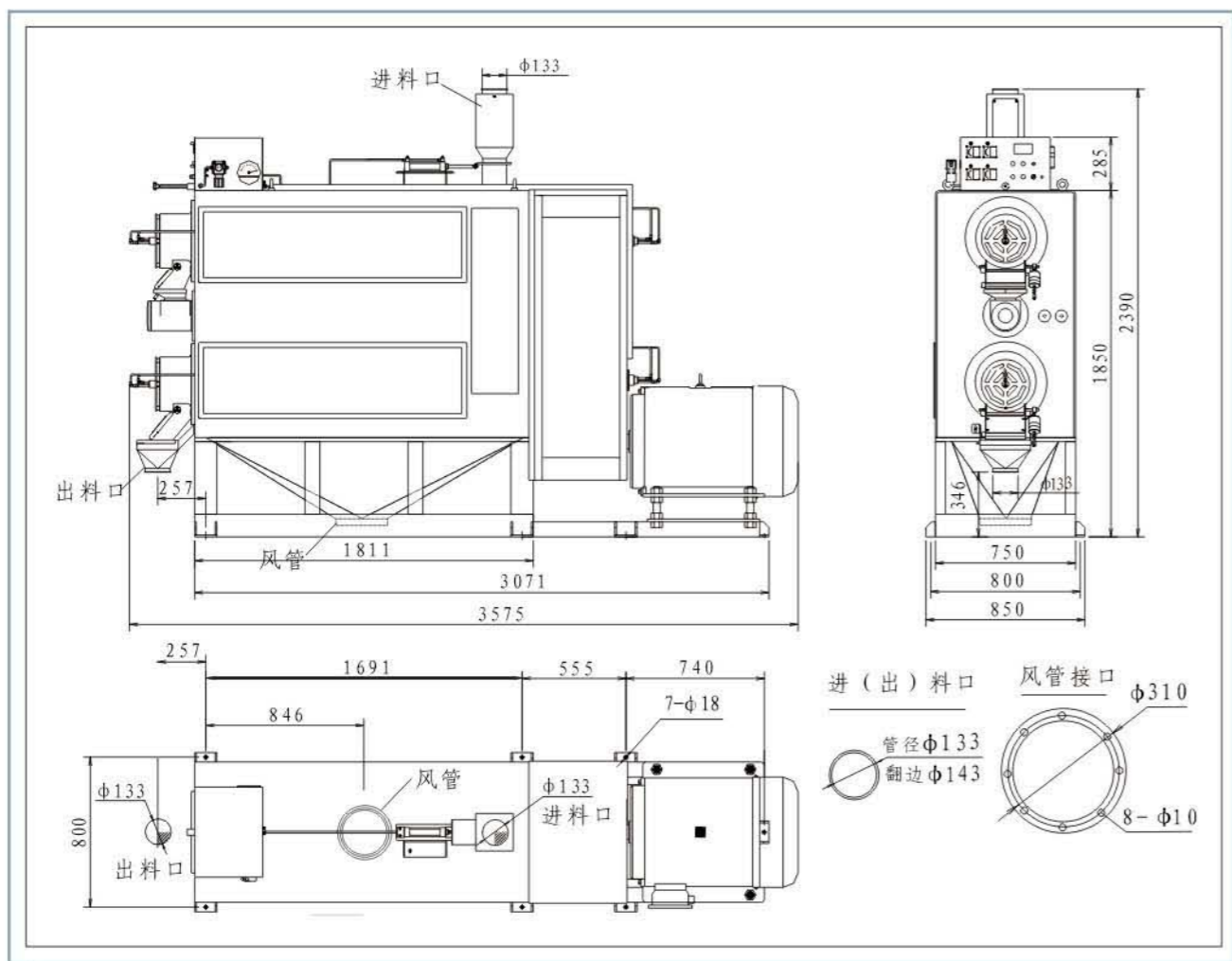


### 外形尺寸与地脚安装图 OVERALL DIMENSION



# 大米抛光机

## RICE POLISHER



### 主要技术参数 MAIN TECHNICAL DATA

型号 Type	CM8000X2
处理量 Output(t/h)	7.5-8.5
配备动力 Power(kw)	75-90
转速 Rotary speed(rpm)	650-750
机重 Weight(kg) 含90Kw电机	2960
外形尺寸 Dimention(mm)	3575x850x2390

产品技术参数如有变更恕不另行通知 If technologic data has been changed without further information

通过ISO9001国际标准质量体系认证 ISO 9001 -2008 Certified  
E-mail: yongxiangmiji@sohu.com http://www.hbyxlj.com

地址: 湖北省安陆市府河大道2号  
ADD: 2 FUHE AVE., ANLU CITY, HUBEI, CHINA  
电话(TEL): 0712-5254443 5254445 5258762 传真(FAX): 0712-5254443 邮编(POSTCODE): 432600

湖北永祥粮食机械股份有限公司

HUBEI YONGXIANG FOOD PROCESSING MACHINE CO.,LTD.

## 用途简介 USE INTRODUCTION

- CM8000x2双辊大米抛光机是永祥集多年研发大米抛光机的专业技术，融合现代大米绿色、健康新理念、新标准，精心设计、制造的大型高产双辊抛光机。该机双辊为上下布局的结构方式，具有产量大、占地面积小，结构紧凑、操作方便等特点，能够满足大中型碾米企业配套或者深加工生产需要，是现代品牌化、规模化米业公司理想的更新换代产品。
- CM8000x2 double roll rice polishing machine is forever auspicious professional technology research and development of rice polishing machine for many years, the fusion of modern rice green, health new idea, the new standards, the careful design, the manufacture of large high double roller polishing machine. The machine is double roller for the layout of the structure, has a large production, cover an area of an area small, compact structure, convenient operation etc., to meet the needs of the large and medium-sized rice milling enterprises supporting or deep processing production, is a modern, scale rice brand company's new production.



CM8000x2  
RICE POLISHER

## 产品特点 FEATURES

- 本机抛光室结构紧凑，处于同一操作面的双辊可以直接互换，可拆分筛托架，使用更换，方便快捷，满足不同大米抛光的工艺要求；
- 全新设计分段低筋抛光辊，表面光滑耐磨，抛光效果佳、产量大、增碎少，既满足大米抛光的工艺要求又有效防止抛光辊表面糠粉球附着；
- 采用精密流量计，智能电流表、温控仪、负压表等自动化元器件，配合多位置自动恒温高压空气喷雾装置和风门调节装置，使抛光过程的控制操作简便可靠、快速清晰，自动化程度高，保证抛光效果稳定控制在最佳状态；
- 本机配备气动进料门并设有料门微调机构，料门开关迅速、精确灵敏；

- The machine polishing chamber structure is compact, at the same operating the double roller can be straight swaps, detachable screen bracket, the use of replacement, convenient and quick, satisfied different rice polishing process requirements;
- Strong polishing roller, new design piecewise smooth surface wear resistance, polishing effect good, large output, less, not only meet the technological requirements of rice polishing again effectively prevent the chaff powder ball polishing roll surface adhesion;
- Using precision meter, intelligent ammeter, temperature controller, the negative pressure table, etc moving components, with multi position automatic constant temperature and high pressure air spray device and throttle control device, which controls the polishing process is simple and reliable, quickly clear, high degree of automation to ensure stability control in polishing effect the best condition;
- This machine is equipped with pneumatic feeding door and door fine-tuning, door switch rapid, accurate sensitive.



光滑耐磨抛光辊  
Smooth wear-resisting polishing roll



可拆分筛托架  
Detachable sieve tray



控制操作简便可靠  
Easy operation and reliable control



电机上下直拉，调整简单  
Motor straight pull up and down, simple adjustment