

TQSX150X2 吸式振动式去石机

SUCTION TYPE GRAVITY STONER



TQSX150x2 吸式振动去石机

TQSX 150x2 去石机是引进国外先进技术，采用现代粮机制造工艺，精心设计、精心制作的最先进的去石设备，是现代粮机加工企业理想的先进设备。

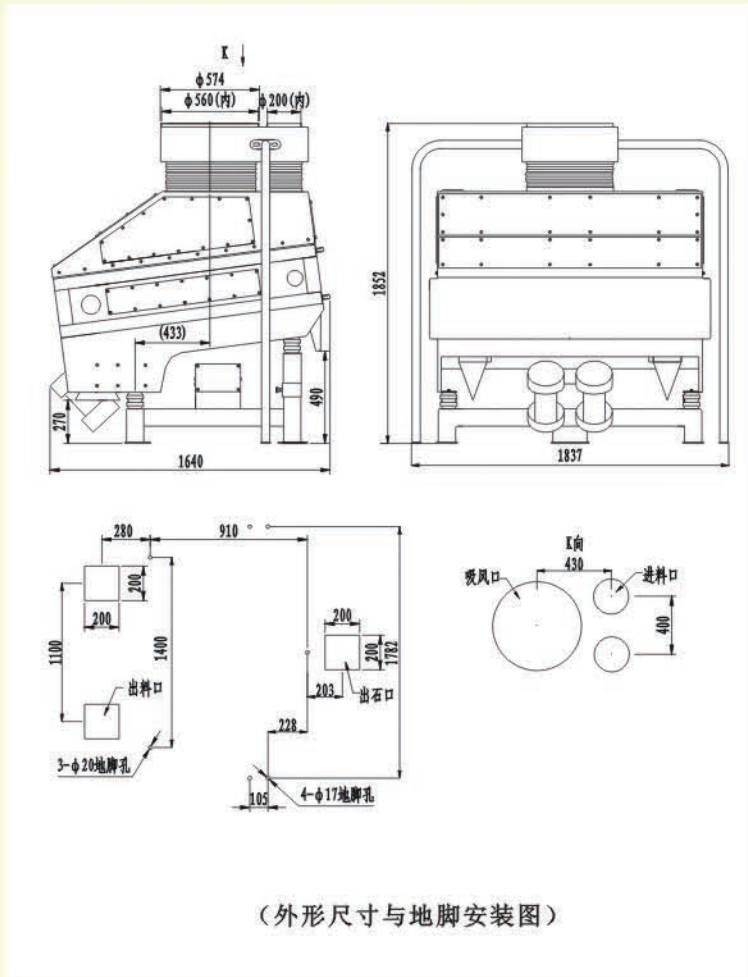
特点

- 采用振动电机驱动，运转平稳，结构紧凑，机械性能稳定，占地面积小。
- 双层去石结构，去石效果较稳定，石子中含粮少。
- 全封闭结构，无粉尘外扬，风压风量可调节，并有负压显示装置。
- 配有长寿命日光灯照明系统，易观察。

By introducing overseas advanced techniques and modern manufacturing technology, TQSX suction type gravity stoner is proven to be perfect stone-removing equipment for modern food processing plant.

Feature

- Use vibrating motor, with stable running, compact construction, steady mechanical performance, small required area.
- Use double-deck stone-removing construction, with better effect, less grain content in stone.
- With full closed construction, there is no dust spread. Air pressure and air volume is adjustable, and equipped with negative pressure indicator.
- Equipped with illuminating system, including longer service life daylight lamp, easy to observe.



(外形尺寸与地脚安装图)

主要技术参数

型号 Type	TQSX150×2
产量 Capacity (t/h)	8-12
动力 Power (kw)	0.3×2
外形尺寸 Dimension mm (L×W×H)	1640x1837x1852
机重 Net Weight (kg)	710

通过ISO9001国际标准质量体系认证 产品技术参数如有变更恕不另行通知 If technologic data has been changed without further information

E-mail: yongxiangmiji@sohu.com http://www.hbyxlj.com

地址: 湖北省安陆市府河大道8号

ADD: 8 FUHE AVE. ANLU CITY, HUBEI, CHINA

电话(TEL): 0712-5254443 5254445 5258762 传真(FAX): 0712-5254443 邮编(POSTCODE): 432600

湖北永祥粮食机械股份有限公司

HUBEI YONGXIANG FOOD PROCESSING MACHINE CO.,LTD.