

MNML46立式砂辊米机

MNML46立式砂辊碾米机是消化吸收国际先进的碾米技术，采用现代机械制造工艺和国际配置精心制造的大型米机，主要用于糙米开糙和糙米碾白，是现代化大型碾米企业的理想设备。

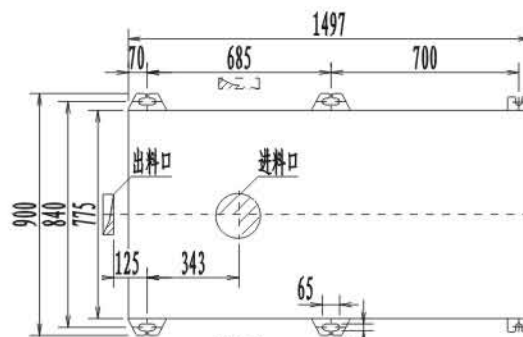
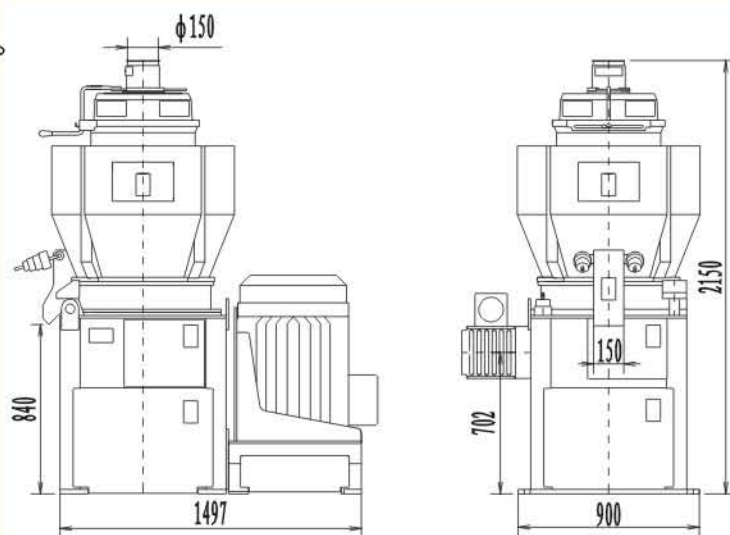
特点

- 采用大风量高速碾米技术，产量大，米温低，增碎少。
- 活动式筛架及片砂辊结构。
- 进口元件配置，经久耐用。
- 电流和负压显示，操作方便。
- 耐磨件制造工艺先进，使用寿命长。
- 多方位出料，配套方便。

By adopting modern technology and international configuration as well as chinese situation, MNML46 Vertical emery roll rice whitener is new generation Product with elaborating. It is the most advanced equipment for large scale rice milling plant.

Feature

- High output, low rice temperature, less broken rice increment
- With movable sieve frame and emery rings
- Multiposition discharge optionally, convenient to configure
- With imported parts, reliable and durable
- With advanced technology, consume parts is Durable and less maintenance
- With current and negative pressure display, Easy to operate.



(外形尺寸与地脚安装图)

主要技术参数

| | |
|---|---------|
| 型号 Type | MNML46 |
| 处理量 Output(t/h) | 5~7 |
| 配备功率 Power(kw) | 45~55 |
| 转速 Rotary speed(rpm) | 455~580 |
| 负压 Negative pressure (mmH ₂ o) | 100~150 |
| 风量 Air volume (M ³ /min) | 50 |
| 机重 Weight(kg) | ≈ 1300 |

通过ISO9001国际标准质量体系认证

E-mail: yongxiangmiji@sohu.com http://www.hbyxlj.com

地址：湖北省安陆市府河大道8号

ADD: 8 FUHE AVE.ANLU CITY,HUBEI,CHINA

电话(TEL): 0712-5254443 5254445 5258762 传真(FAX):0712-5254443 邮编(POSTCODE): 432600